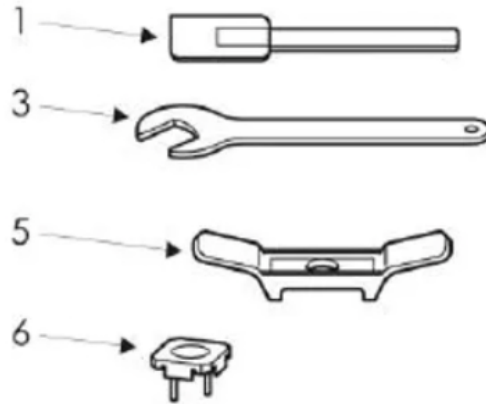


## VCM 40 & 44 A/1 OEM TOOLS



	DESCRIPTION	FACTORY #	ALT P/N#
1.)	<b>LARGE SPATULA</b> Used to assist with scraping product from inside of the bowl	3H6000-02	2234
2.)	<b>OPEN END SPANNER WRENCH</b> Tool to remove and assemble the knife shaft assembly	3H6002-02	0238
3.)	<b>WRENCH FOR BOWL SEAL</b> Tool to remove and replace the bowl seal assembly	3G6015-02	0182
4.)	<b>Knife Shaft Holding Cap</b> Stainless Steel holding cap inserts at top of knife shaft to keep it in place	6468SS	6468SS

Our product brands:

## FrymaKoruma Stephan Terlet

**ProXES Inc.**  
1385 Armour Boulevard  
Mundelein, IL 60060  
USA

T. +1 847 2470182  
F. +1 847 2470184