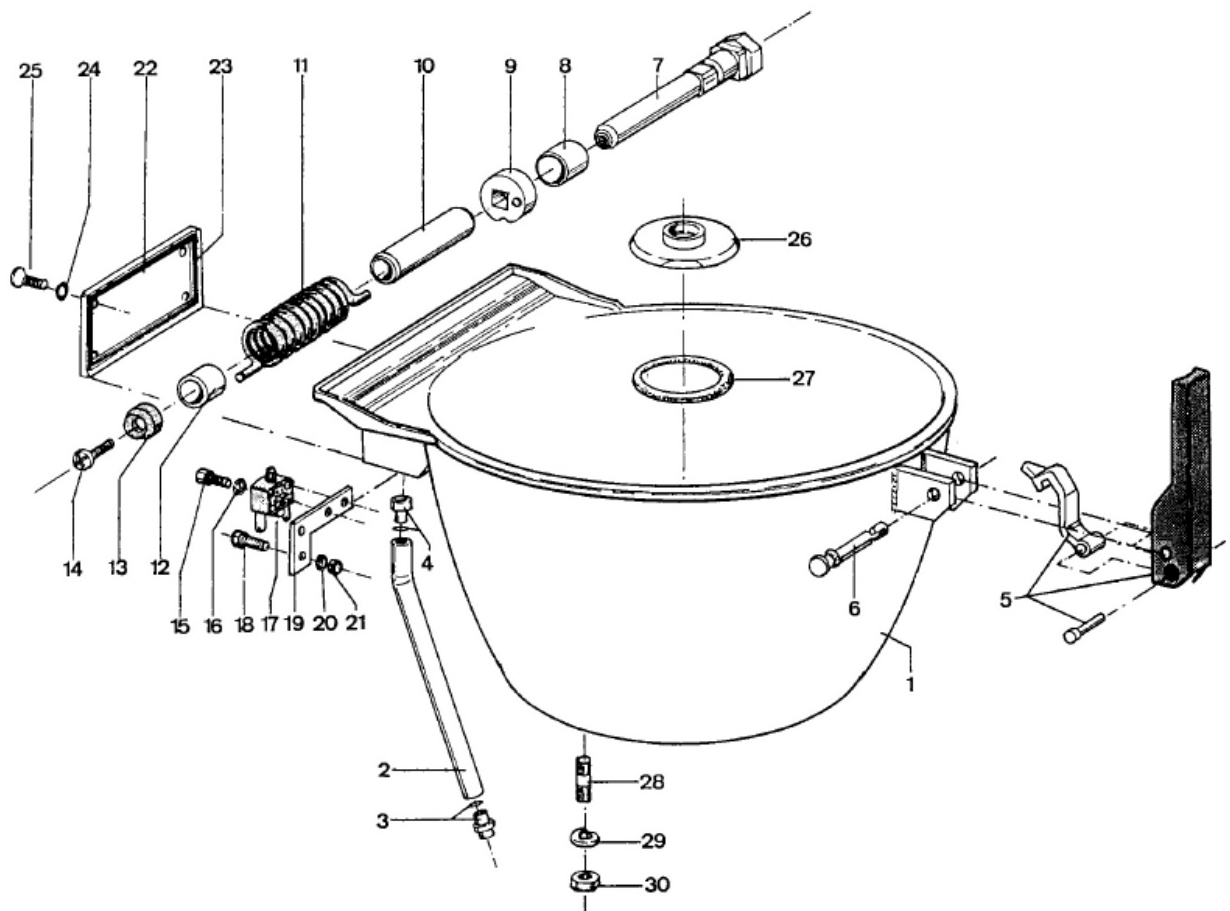


LID, BOWL AND HINGE ASSEMBLY

11.2 Bowl, standard



Our product brands:

FrymaKoruma Stephan Terlet

ProXES Inc.
1385 Armour Boulevard
Mundelein, IL 60060
USA

T. +1 847 2470182
F. +1 847 2470184

LID, BOWL AND HINGE ASSEMBLY

ILLUS #	Qty	STEPHAN PART DESC.	Part No.
1	1	Standard Bowl	2223
2	1	Cable tube	2247
3	1	Guide bush	2246
not illus.	1	o-ring	2264
4	1	Bush	2246
5	1	Locking lever, complete for cover	2224
6	1	Bearing bush for lid bolt	2225
7	1	Lid bolt (for SS lid # 2235 / Alum Lid # 3611)	← See
8	1	Bushing for lid bolt	2228
9	1	Curved disc	2239
10	1	Bush for lid bolt	2237
11	1	Torsion spring	2236
12	1	Bearing bush for lid bolt	2229
13	1	Cap for lid bolt	2238
14	1	Raised countersunk head screw M8x16	2257
15	2	Socket head cap screw M4x20	2254
16	2	Spring washer	3088
17	1	Position switch	2253
18	2	Hex screw M5 x 16	2256
19	1	Holding plate f. limit switch	2226
20	2	Spring washer	2200
21	2	Hex nut M5	7072
22	1	Lid for terminal box	2227
23	1	Cellular rubber sealing	3194
24	4	O-ring	2263
25	4	Countersunk screw M6x16	7166
26	1	Sealing flange complete w/ O-ring	0180
27	1	O-ring, 55° shore	0181
28	4	Stud bolt	0178
29	4	Spring washer	7009
30	4	Hex. Nut	7010

Our product brands:

FrymaKoruma Stephan Terlet