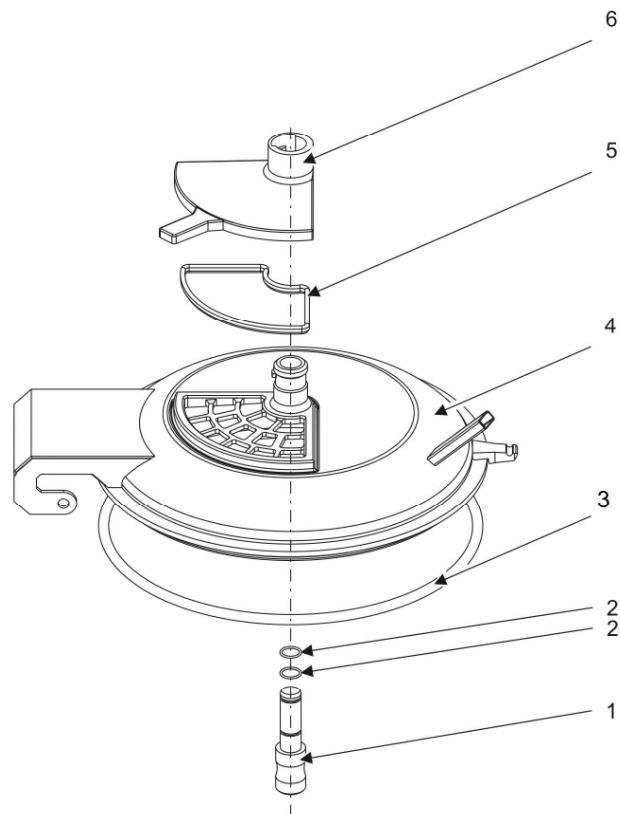


10.3 Container, Assembly Group

10.3.1 Lid



Pos.	Designation	Type	Item No.	No.	Dim.	OI	Other
1	Plug		3K2629-10	1	ST		E
2	O-ring	2-119	3I0003-30	2	ST		V
3	Lid seal		3I0100-01	1	ST		V
4	Lid		3B6220-02	1	ST		E
5	Sealing ring		3I0112-02	1	ST		V
6	Inspection lid		3M4023-03	1	ST		E